

TFM-1430
Analogue Dry Contact Inpup/Output Module
Installation & Operation Manual



Issue Date: 23/05/2018
Rev:00

Important Warnings

General

- ✓ Before using the device read this manual carefully. Keep it just in case of necessity.
- ✓ Abide all the rules and precautions stated in the manual. Follow all the instructions one by one.
- ✓ Keep the devices away from water and moisture

Conditions

Do not energize the device above or below the given limits of extreme hot or cold conditions,
Temperature: Between -10°C and +55°C
Relative Humidity: %95 RH max

Service

Do not try to fix the device on your own. Removal of cover may end up with electricity shock.

In case of any defect or malfunction, contact with your dealer or with authorized service. All the technical interventions have to be done by technicians of company.

Warning: Do not attempt to remove the electronic board from its plastic case. The electronic board is closed for your safety. Users should avoid from interference.

Malfunctions that require technical service

In case of any malfunction or below conditions contact with your authorized service,

- ✓ When Mains cable or the plug is harmed,
- ✓ Contact of device with a fluid,
- ✓ Exposure of rain and water,
- ✓ Fell down of device or harmed outer cover,
- ✓ Serious performance fall on the device,
- ✓ Depending on the instructions stated in manual, if your device not working properly

Contact with your authorized service in such terms.

Maintenance on your own

Do not try to fix the device on your own. Removal of cover may end up with electricity shock. In case of any defect or malfunction, contact with your dealer or with authorized service. All the technical interventions have to be done by technicians of company. Device must be cleaned up with a dry fabric. No-chemicals are allowed for cleaning

Transportation

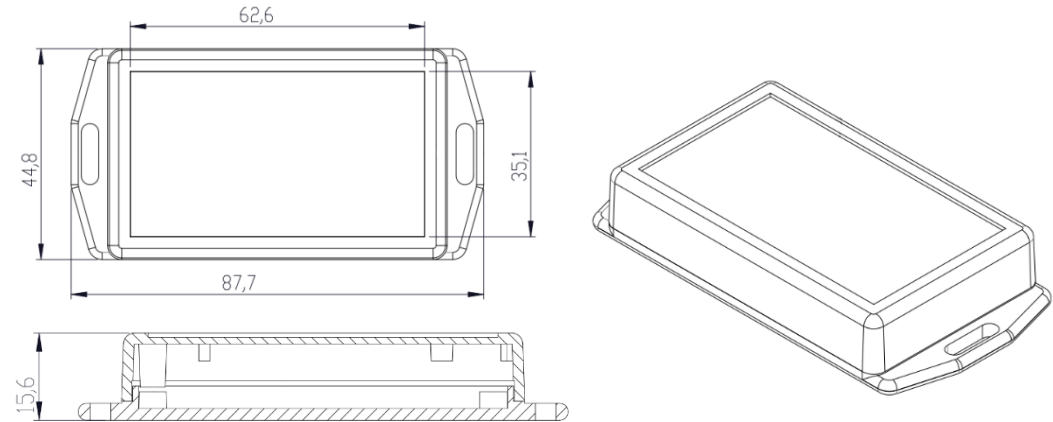
Device must be carefully transported avoiding all physical bump, stroke and possible fluid entry. Malfunctions that caused by improper transportation is not under warranty.

Human and Environmental Health

This device contains no chemical or biological elements that could harm human condition.

Technical Features

Power Input	15V (min) – 32V (max)
Average Current Consumption (Normal Condition)	180uA (@24V)
Average Current Consumption (Alarm Condition)	500uA (@24V)
Operating Temperature Range	-10°C ~ 55°C (14°F ~ 131°F)
Humidity	95% RH (max)
Dimensions (mm)	15,6mmx44,8mmx62,6mm
Weight	50gr(max)



Setup

Teknim Analogue Addressable Input / Output Modules communicate via Flashlink protocol. The device is compatible with Analogue Addressable Panels (TFP-12XX series). The input / output connections of each model must be checked before terminal connections are made. Modules should also use 33K as the line end resistance and 10K as the alarm resistance.

Addressing

A special addressing module (TFCM-1801) designed by Teknim must be used to address the input and output modules. Modules can be addressed from 1 to 240. It should be noted that the addresses of each device in the vicinity must be unique.

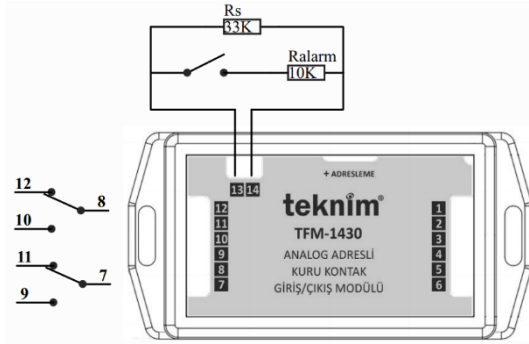
TFM-1430 Analogue Dry Contact Inpup/Output Module

The TFM-1430 module provides both dry contact monitoring and dry contact output for operation of external alarm devices.

End of line as resistance (R_s) 33K, as an alarm resistor (R_{alarm}) 10K must be used.

Relay contacts are 30Vdc 2A Form C

Terminal	Explanation
1	Loop line INPUT (+)
2	Loop line INPUT (-)
3-4	Earth connection
5	Loop line OUTPUT(-)
6	Loop line OUTPUT(+)
7	Common Contact 1
8	Common Contact 2
9	Normally open contact 1
10	Normally open contact 2
11	Normally closed contact 1
12	Normally closed contact 2
13	Input (+)
14	Input (-)



Indicator Leds

	Blue Led	Red Led
Any error condition (Short-Curcuit, Open-Curcuit power failure)	Blinks for 1s period	X
In normal operating condition (can be closed via panel)	Blinks for 20s period	X
In the case of input alarm	X	It is constantly lit
In case of output alarm	X	Blinks for 1s period

Note: When the blue led and the red led are lit at the same time, a purple color appears.

CE

1922

Bilgi Elektronik San. ve Tic. A.Ş.
Dudullu OSB 1. Cad. İsmet Tarman İş Merkezi
No:1 Kat:2 No:32 Ümraniye / İstanbul
17
1922-CPD-0897

EN 54-18:2005
Input/output device
TFM-1430
Technical data: see Doc.BİLGİ-TEC-170907-1 held by the manufacturer.

Manufacture

Bilgi Elektronik San. ve Tic. A.Ş.

Dudullu Organize Sanayi Bölgesi 1. Cadde İsmet Tarman İş Merkezi
No:1 Kat:2 No:32 Ümraniye / İstanbul

Telephone: +90 216 455 88 46 **Fax:** +90 216 455 99 06

Sales: sales@bilgielektronik.com.tr

Technical Support: support@bilgielektronik.com.tr



* 2012/19/EU (WEEE directive): Products marked with this symbol cannot be disposed of as unsorted municipal waste in the European Union. For proper recycling, return this product to your local supplier upon the purchase of equivalent new equipment, or dispose of it at designated collection points. For more information see: www.recyclethis.info.